

Gooch & Housego



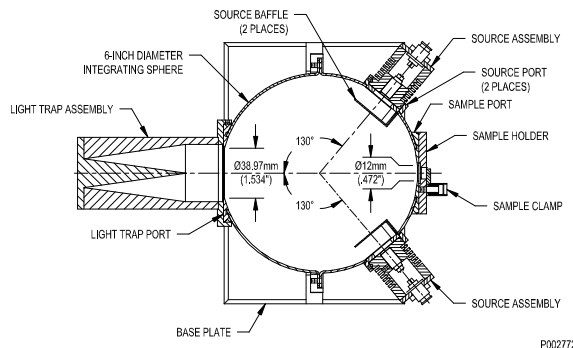
6-Inch Diameter Veiling Glare Integrating Sphere

Gooch & Housego's 6-Inch Diameter Integrating Sphere is designed for performing precise and accurate veiling glare test measurements on sensor samples. The sphere consists of a sample port, light trap and two illumination sources, all located on the sphere's horizontal axis. The sphere assembly also comes mounted to a rugged base plate

The sphere's internal surfaces and baffles are coated with Gooch & Housego's Optolon2™ high reflectance coating. The coating's effective wavelength range is 300 nm to 2500 nm.

The sample port is located on the sphere's horizontal axis and has a 12 mm (.472") diameter aperture. The three 4-40 tapped holes on the port's front face are used for attaching fixtures or components to the port.

Custom sample holders can be supplied to allow for proper alignment and positioning of the device to sample port. The port adapter attaches to the sample port with three 4-40 cap head screws. The three 4-40 tapped holes on the spacer's front face are used to attach the sample holder to the adapter.



Contact: orlandosales@goochandhousego.com

www.GHinstruments.com

As part of our policy of continuous product improvement, we reserve the right to change specifications at any time



SOURCE SPECIFICATIONS

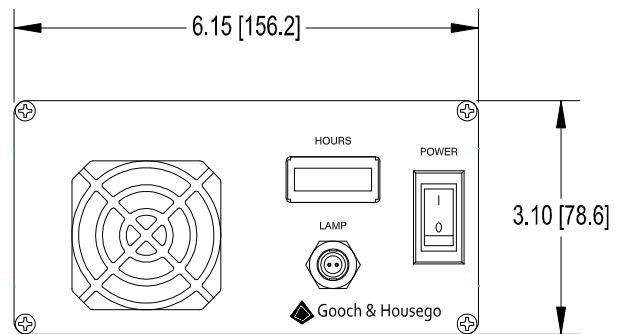
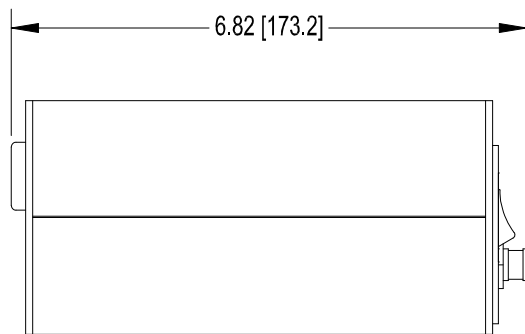
Lamp Type (tungsten filament) Krypton gas
 Lamp Size Reflectorized MR-3
 Lamp Nominal Ratings 5.0 V at 0.97 A
 Lamp Wattage 4.85 W
 Lamp Life 10,000 Hours

POWER SUPPLY

Dimensions 6.82 in x 6.15 in x 3.10 in
 (17.32 cm x 15.62 cm x 7.87 cm)
 Weight 2.0 lbs/ (0.90 kg)
 Power Requirement ~ 15 Watts
 AC Power Input 85 VAC to 265 VAC, 50/60 Hz

SPHERE/LIGHT TRAP SPECIFICATIONS

Integrating Sphere Diameter 6" (152.4 mm)
 Sphere Coating Optolon2 (BaSO₄)
 Light Reduction (compared to Optolon2 target) 0.02%
 Light Trap Diameter 1.5" (38.97 mm)



DIMENSIONS IN INCHES [mm]

